

D

C

B

A

FIXING DETAILS

SCALE 1:4

ISO VIEW

SCALE 3:16

4

4

3

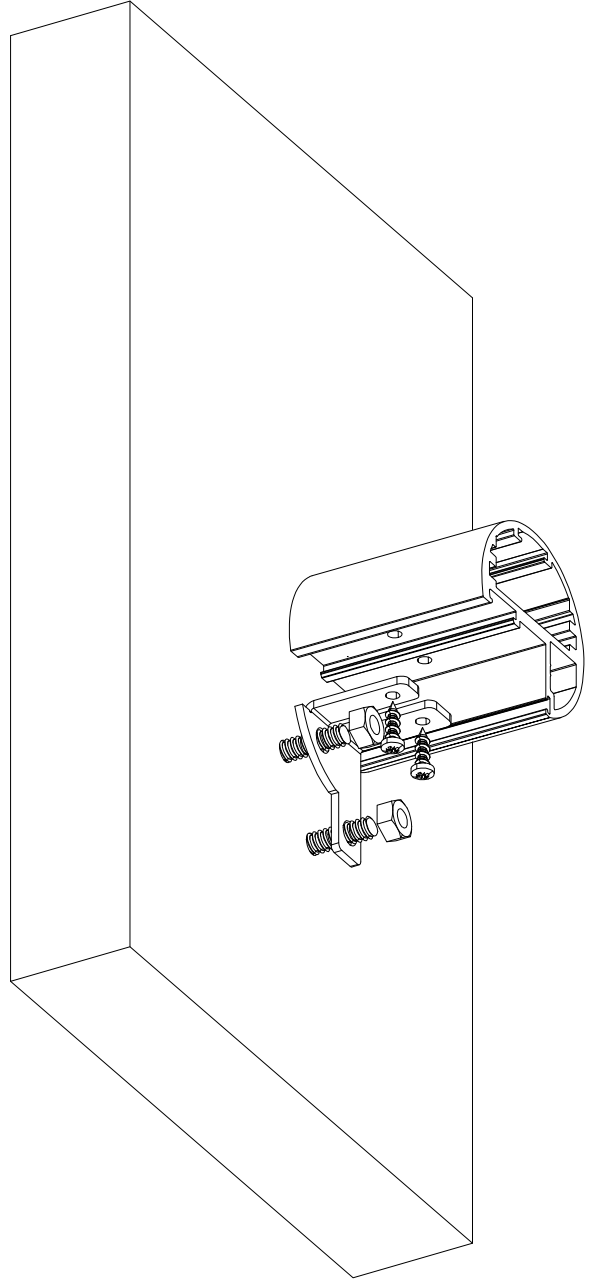
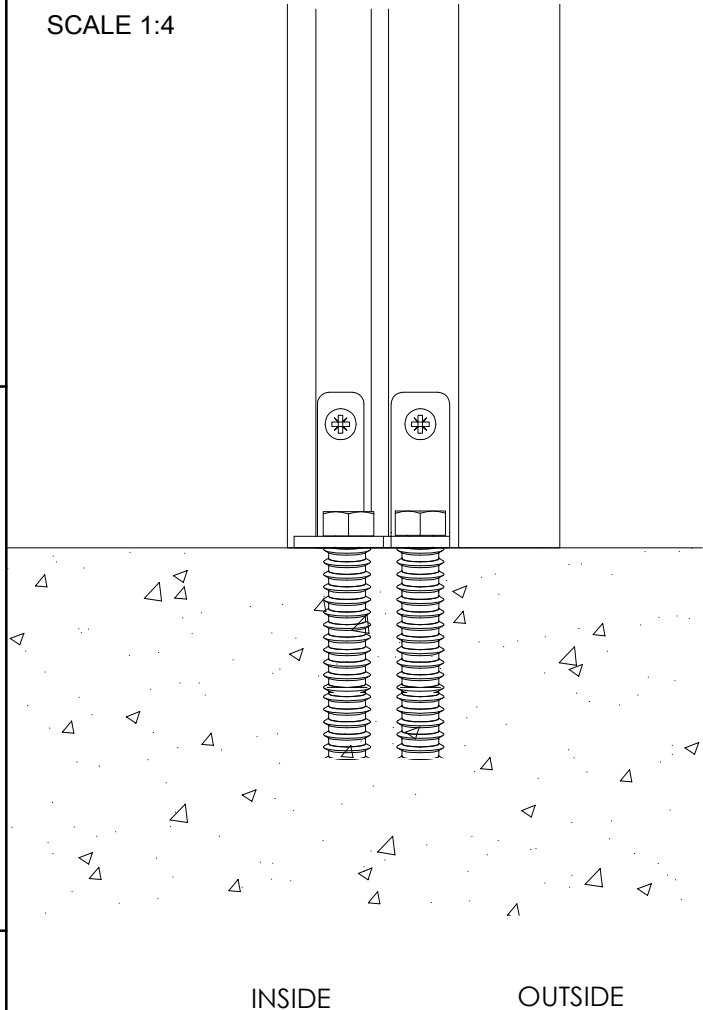
3

2

2

1

1



INSIDE OUTSIDE

STAINLESS STEEL
PHILLIPS SCREW (PEN) (X2)

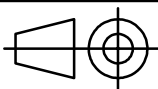
M8 STUD CHEMFIXED
OR SIMILAR (X2)

APPROVED BY (NAME AND SIGNATURE):

DATE:

SIZE:

A4



LAST REV:

DRAWING NUMBER:

B1VWB



Balcony Systems Solutions Ltd.
Unit 6 Systems House, Eastbourne Road,
Blindley Heath, Surrey, RH7 6JP
Tel: 01342410411 Fax: 01342410412
www.balconette.co.uk

ORBIT WALL BRACKET (VISIBLE)

D

A